

Guard Locking Switch Stainless Steel Type: HYGIELOCK KL3-SS

FEATURES:



IP69K



Spring to lock when actuator is inserted. Energise solenoid to unlock.

Solenoid Locking Interlock Safety Switch featuring Guard Holding up to 2000N (200Kg) (F1Max)

The KL3-SS Series guard locking switches have a rugged Stainless Steel 316 body and have been developed with a holding force of 2000N to keep medium to large guard doors closed until hazards have been removed.

They are designed in accordance with EHEDG guidelines for hygienic design (EHEDG European Hygienic Engineering & Design Group). The mirror-polished surface to Ra10 is designed to cope with direct food splash and cleaning found in the tough applications of the Food Processing Industries.

They have IP69K enclosure protection and can be high pressure hosed with detergent at high temperature.

Designed with slim body under 50mm wide the KL3-SS series can be fitted to 50mm (2") frame sections or to applications where space is restricted.

The head will rotate to provide up to 8 actuator entry positions.

2 Manual override points are provided (by using anti-tamper key).

CONTACTS/LED DIAGNOSTICS:

A unique mechanical design featuring 2 independent contact blocks gives a high function and diagnostic specification.

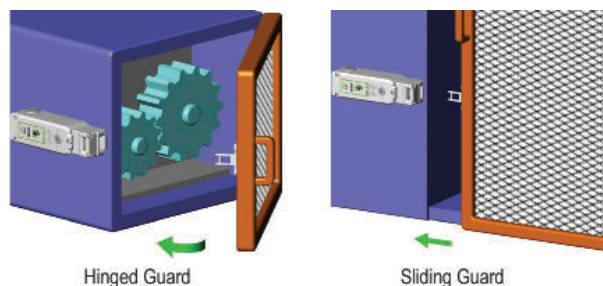
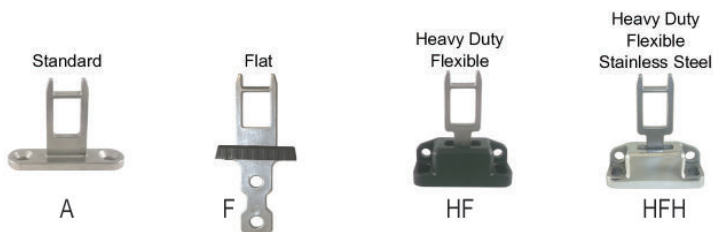
4NC Safety Contacts

1NO Auxiliary Contact (Guard Open)

LED1 Solenoid Power

LED2 Lock Status indication or 1NO Auxiliary Contact (Lock Open)

ACTUATOR OPTIONS (see p76)



FUNCTIONAL SPECIFICATIONS:

Positive Break Contacts to EN60947-5-1

High Functional Safety to ISO13849-1

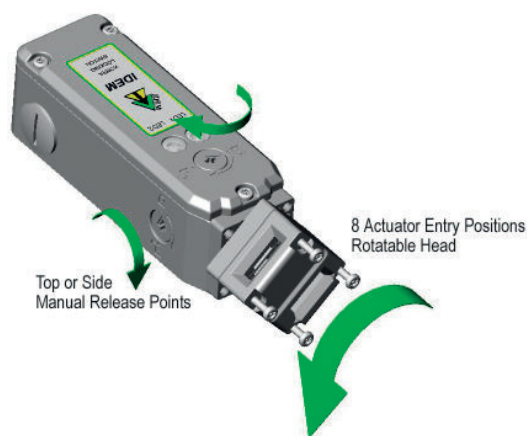
Stainless Steel 316 Body and Head - Mirror Polished to Ra10

Connects to most Safety Relays to give up to PLE Cat.4

IP69K suitable for SIP and CIP Processes

Will fit on 50mm frame sections or where space is restricted

4NC Safety Contacts independently selectable



INSERTION OF ACTUATOR

| | 6.0 | 5.0 | 0mm |
|-------|------|-----|------|
| 11/12 | Open | | |
| 21/22 | Open | | |
| 33/34 | | | Open |
| 43/44 | | | Open |

For all IDEM switches the normally closed (NC) circuits are closed when the guard is closed actuator inserted.

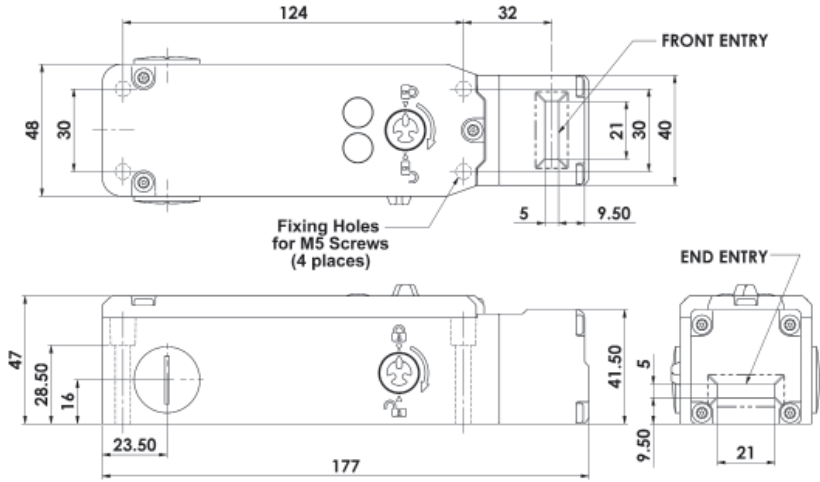
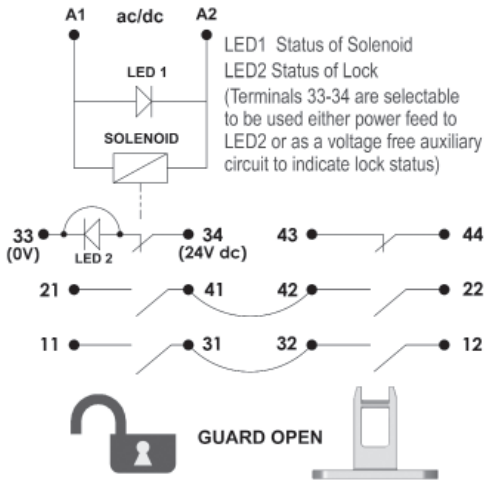
Standards: ISO14119 EN60947-5-1 EN60204-1
ISO13849-1 EN62061 UL508

Safety Classification and Reliability Data:

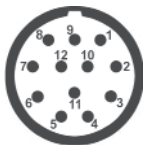
| | |
|-------------------------------------|-----------------------------------------------------------|
| Mechanical Reliability B10d | 2.5 x 10 ⁶ operations at 100mA load |
| ISO13849-1 | Up to PLE depending upon system architecture |
| EN62061 | Up to SIL3 depending upon system architecture |
| Safety Data – Annual Usage | 8 cycles per hour/24 hours per day/365 days |
| PFHd | 3.44 x 10 ⁻⁸ |
| Proof Test Interval (Life) | 35 years |
| MTTFd | 356 years |
| Solenoid Voltage (by Sales Number) | 24V ac/dc or 110Vac or 230Vac |
| Solenoid Wattage | 12W |
| LED2 Supply Voltage | 24Vdc |
| Utilization Category | AC15 A300 3A |
| Thermal Current (Ith) | 5A |
| Rated Insulation/Withstand Voltages | 600Vac/2500Vac |
| Travel for Positive Opening | 10mm |
| Actuator Entry Minimum Radius | 175mm Standard 100mm Heavy Duty |
| Maximum Approach/Withdrawal Speed | 600mm/s |
| Holding Force | F1Max 2000N Fzh 1538N |
| Body Material | Stainless Steel 316 |
| Enclosure Protection | IP69K IP67 |
| Operating Temperature | -25C +50C |
| Vibration | IEC 68-2-6 10-55Hz + 1Hz Excursion 0.35mm 1 octave/min |
| Conduit Entry | Various (See Sales Number) |
| Fixing | 4 x M5 |

Guard Locking Switch Stainless Steel Type: HYGIELOCK KL3-SS

SCHEMATIC CIRCUIT & DIMENSIONS:

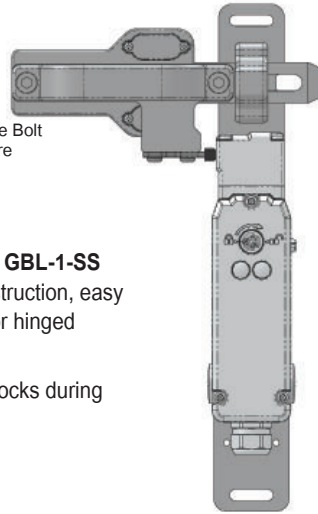


ACCESSORIES (see p70-75)

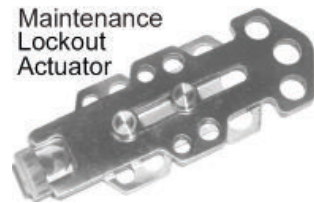


| Quick Connect (QC) M23 12 Way Male Plug Connector Length 24mm Pin View from Switch | Switch Circuit |
|------------------------------------------------------------------------------------|----------------|
| 1 3 | A1 A2 |
| 4 6 | 11/12 |
| 7 8 | 21/22 |
| 2 5 | 43/44 |
| 9 | 33 |
| 10 | 34 |
| Earth | 12 |

Sliding Handle Gate Bolt with Lock Off feature



GATE BOLT LOCK GBL-1-SS
Stainless Steel construction, easy to install on sliding or hinged guards.
Holes for fitting padlocks during maintenance.



Fits to switch aperture during maintenance and provides multiple padlock holes.



| FEMALE QC LEADS | LENGTH | SALES NUMBER |
|-----------------|------------|--------------|
| M23 12 Way | 5m (15ft) | 140143 |
| M23 12 Way | 10m (30ft) | 140144 |

| STAINLESS STEEL 316 GLAND | SALES NUMBER |
|---------------------------|--------------|
| M20 | 140120 |
| 1/2" NPT | 140121 |



IDEM recommend using our Stainless Steel 316 Gland with this switch.



| SALES NUMBER | SOLENOID VOLTAGE | STANDARD MANUAL RELEASE LID AND SIDE | | | MANUAL RELEASE LID ONLY (Not SIDE) | | | NO MANUAL RELEASE FITTED (Blanked) | | |
|---------------------|------------------|--------------------------------------|----------|--------|------------------------------------|----------|--------|------------------------------------|----------|--------|
| | | M20 | 1/2" NPT | QC M23 | M20 | 1/2" NPT | QC M23 | M20 | 1/2" NPT | QC M23 |
| Kobra KL3-SS Switch | 24V ac/dc | 205001 | 205002 | 205003 | 205401 | 205402 | 205403 | 205301 | 205302 | 205303 |
| Kobra KL3-SS Switch | 110V ac | 205004 | 205005 | 205006 | 205404 | 205405 | 205406 | 205304 | 205305 | 205306 |
| Kobra KL3-SS Switch | 230V ac | 205007 | 205008 | 205009 | 205407 | 205408 | 205409 | 205307 | 205308 | 205309 |

| | | | |
|----------------|-----------------------------|---------|----------------------|
| Kobra Actuator | Standard | Add A | to Sales Part Number |
| Kobra Actuator | Flat | Add F | to Sales Part Number |
| Kobra Actuator | Heavy Duty Flexible | Add HF | to Sales Part Number |
| Kobra Actuator | S/Steel Heavy Duty Flexible | Add HFH | to Sales Part Number |

Manual Release Key (order separately - not supplied with switches)

Sales Number: 140123



Ordering Examples:
24V Solenoid M20 Conduit Standard Manual Release Flat Actuator: Sales Number: 205001-F
110V Solenoid 1/2" NPT Conduit No Manual Release Standard Actuator: Sales Number: 205305-A

For all IDEM switches the normally closed (NC) circuits are closed when the guard is closed actuator inserted.