

IDEMAG - Magnetic Non Contact Type: RPR (Plastic)

FEATURES:

Cylindrical fitting suitable for all industry applications.
 Easy to install - M30 threaded body - easy to set
 Wide 10mm sensing
 Suitable for harsh environments of Food Processing and Packaging
 High specification red polyester housing
 Up to: PLe ISO13849-1
 2NC 1NO circuits
 Quick Connect versions available

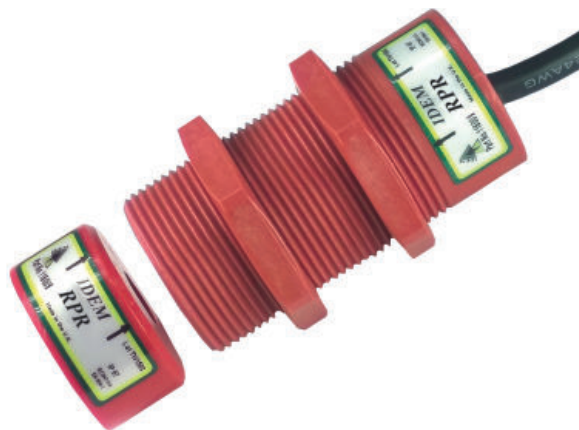
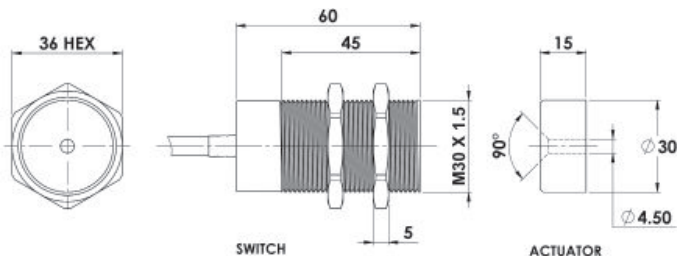
Magnetic Actuation

Switching Tolerance up to 10mm

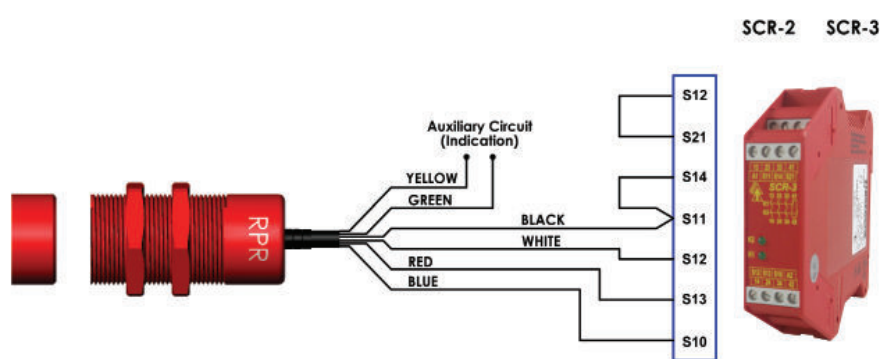
Will operate with most Safety Relays
Quick Connect versions available



DIMENSIONS:

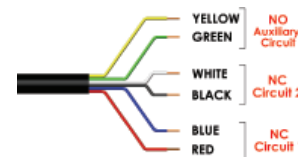
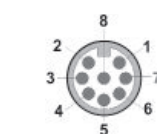
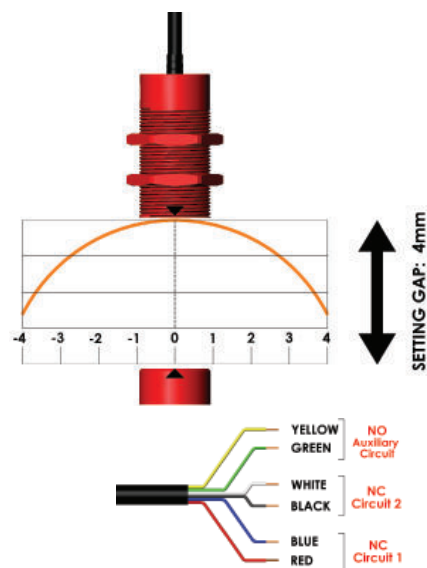


CONNECTION EXAMPLE: Magnetic Switches



One switch connected to an SCR-2 or SCR-3 to give Dual Channel guard monitoring with Automatic Start.

SETTING GAP:



Standards:	ISO14119 EN60947-5-1 EN60204-1 ISO13849-1 EN62061 UL508
Safety Classification and Reliability Data:	
Mechanical Reliability B10d	3.3 x 10 ⁶ operations at 100mA load
ISO13849-1	Up to PLe depending upon system architecture
EN62061	Up to SIL3 depending upon system architecture
Safety Data – Annual Usage	8 cycles per hour/24 hours per day/365 days
PFHd	2.52 x 10 ⁻⁸
Proof Test Interval (Life)	47 years
MTTFd	470 years
Safety Channel 1 NC	Voltage Free: 24Vdc 0.5A Max. Rating
Safety Channel 2 NC	Voltage Free: 24Vdc 0.5A Max. Rating
Safety Channel 3 NO	Voltage Free: 24Vdc 0.2A Max. Rating
Minimum Switched Current	10Vdc 1mA
Dielectric Withstand	250Vac
Insulation Resistance	100 Mohms
Recommended Setting Gap	5mm
Switching Distance	Sao 10mm Close
(Target to Target)	Sar 20mm Open
Tolerance to Misalignment	4mm in any direction from 4mm setting gap
Switching Frequency	1.0Hz maximum
Approach Speed	200mm/min to 1000mm/sec
Body Material	UL approved polyester
Operating Temperature	-25C +80C
Enclosure Protection	IP69K IP67
Shock Resistance	IEC68-2-27 11ms 30g
Vibration Resistance	IEC68-2-6 10-55Hz 1mm
Cable Type	PVC 6 core 6mm OD Conductors 0.25mm ²
Mounting Position	Any

Quick Connect QC M12 8 Way Male Plug Pin view from Switch	Standard Lead Colour	Circuit (Actuator Present)
4	Yellow	NO
6	Green	NO
7	Black	NC2
1	White	NC2
2	Red	NC1
3	Blue	NC1

SALES NUMBER	TYPE	CABLE LENGTH	CIRCUITS
116009	Idemag RPR Plastic	2M	2NC
116010	Idemag RPR Plastic	5M	2NC
116011	Idemag RPR Plastic	10M	2NC
116012	Idemag RPR Plastic	QC-M12	2NC
116013	Idemag RPR Plastic	2M	2NC 1NO
116014	Idemag RPR Plastic	5M	2NC 1NO
116015	Idemag RPR Plastic	10M	2NC 1NO
116016	Idemag RPR Plastic	QC-M12	2NC 1NO

For all IDEM switches the normally closed (NC) circuits are closed when the guard is closed and the actuator is present.



140101	Female QC Lead	M12 Female 5m. 8 way
140102	Female QC Lead	M12 Female 10m. 8 way